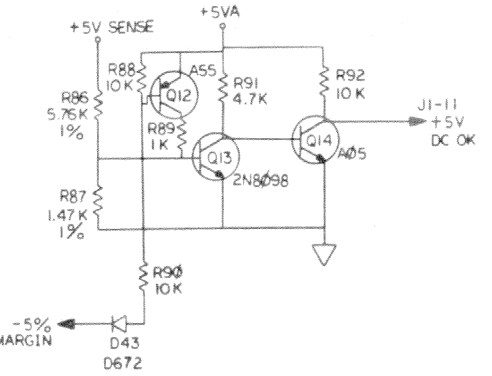
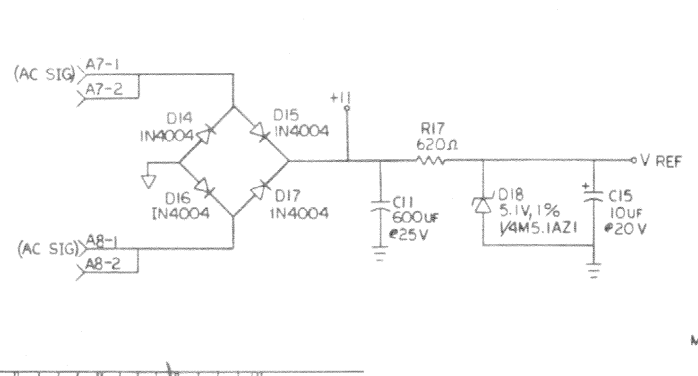
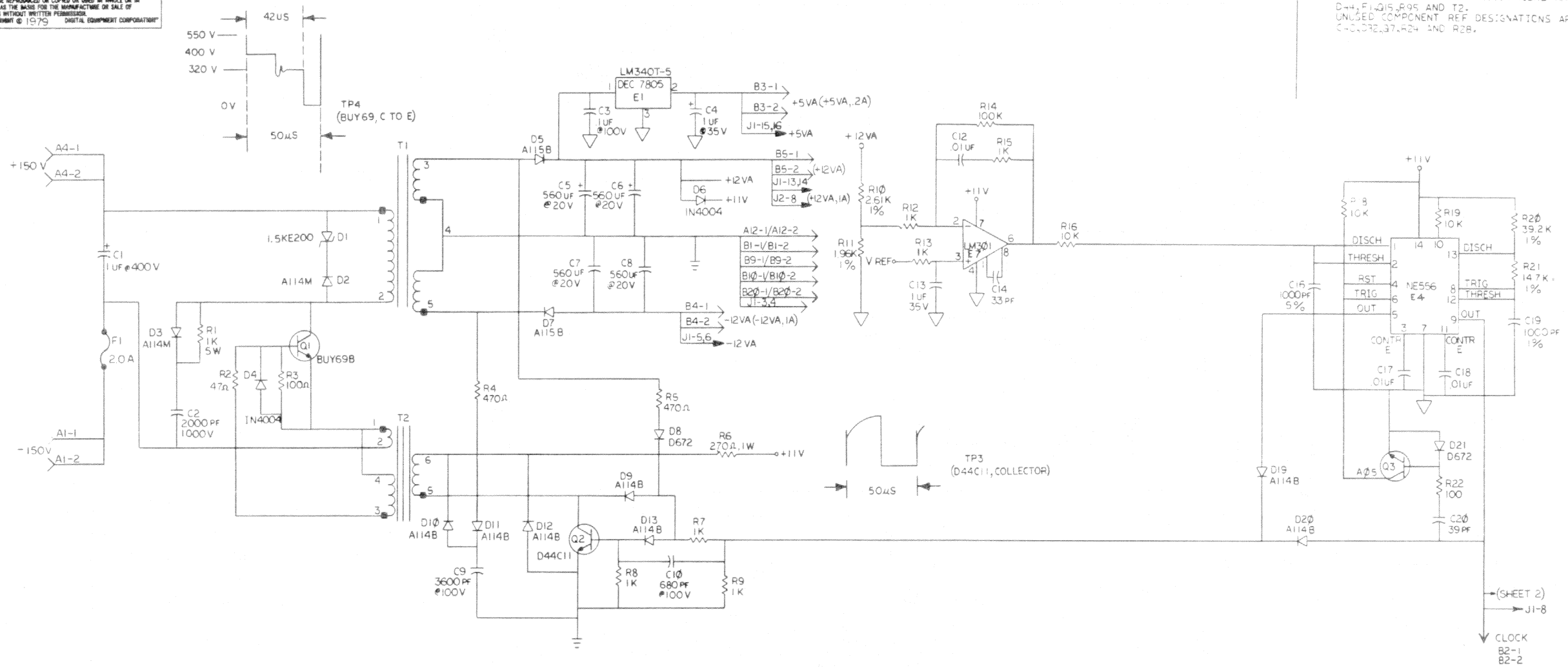


THIS DRAWING AND SPECIFICATION HEREON ARE THE PROPERTY OF DIGITAL EQUIPMENT CORPORATION AND SHALL NOT BE REPRODUCED OR COPIED OR USED IN WHOLE OR IN PART AS THE BASIS FOR THE MANUFACTURE OR SALE OF ITEMS WITHOUT WRITTEN PERMISSION.
 COPYRIGHT © 1979 DIGITAL EQUIPMENT CORPORATION

NOTE: HIGHEST COMPONENT REF. DESIGNATIONS ARE: C49, D44, F1, Q15, R95 AND T2.
 UNUSUED COMPONENT REF. DESIGNATIONS ARE: C21, C-C, D32, D37, R24 AND R28.

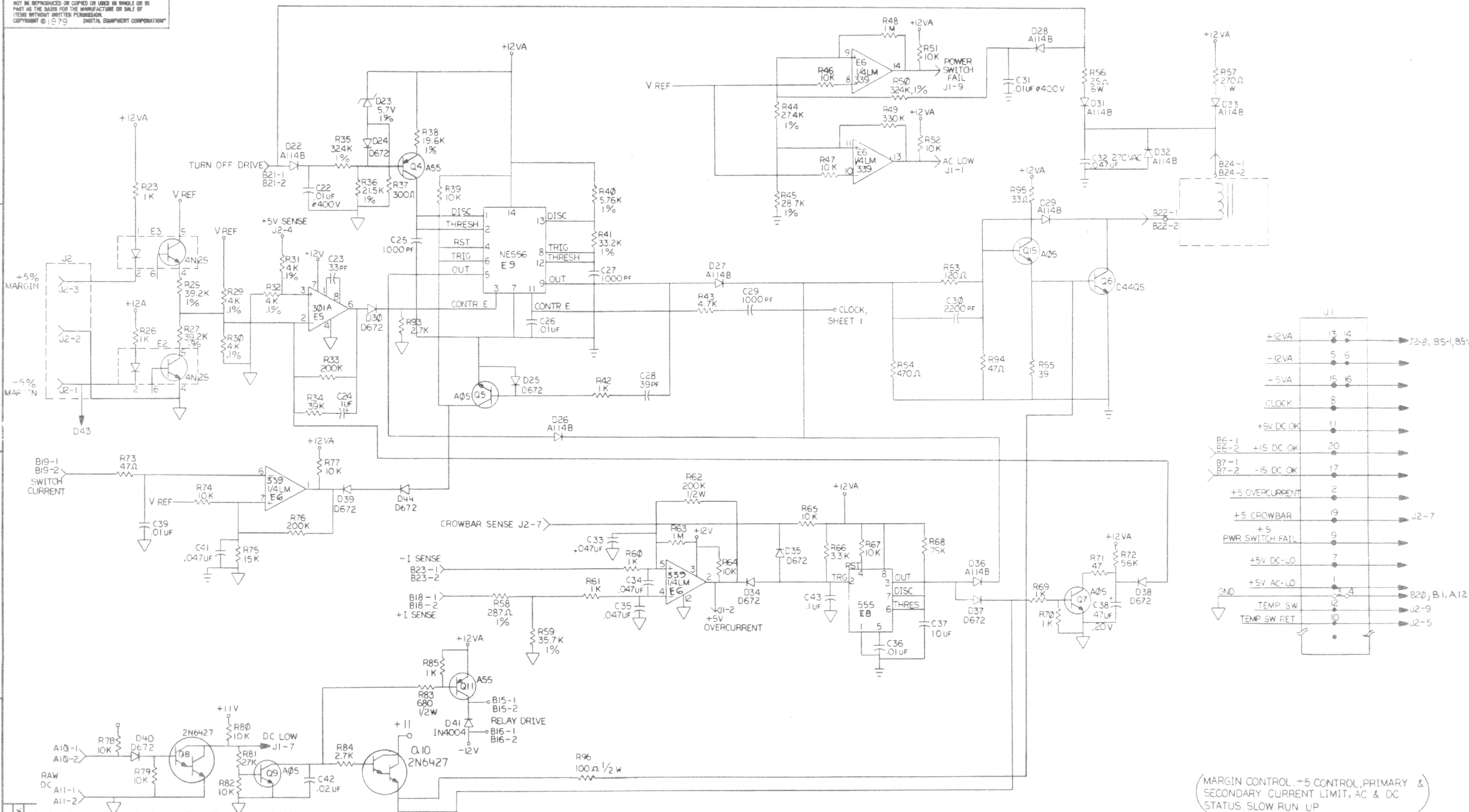


(BIAS SUPPLY, MASTER CLOCK, DC STATUS)

REV.	DATE	BY	CHK'D	DESCRIPTION
1	8/17/79	B. BAUSHA	B. BAUSHA	INITIAL DESIGN
2	8/17/79	B. BAUSHA	B. BAUSHA	REVISED FOR MANUFACTURE
3	8/17/79	B. BAUSHA	B. BAUSHA	REVISED FOR MANUFACTURE
4	8/17/79	B. BAUSHA	B. BAUSHA	REVISED FOR MANUFACTURE
5	8/17/79	B. BAUSHA	B. BAUSHA	REVISED FOR MANUFACTURE
6	8/17/79	B. BAUSHA	B. BAUSHA	REVISED FOR MANUFACTURE
7	8/17/79	B. BAUSHA	B. BAUSHA	REVISED FOR MANUFACTURE
8	8/17/79	B. BAUSHA	B. BAUSHA	REVISED FOR MANUFACTURE
9	8/17/79	B. BAUSHA	B. BAUSHA	REVISED FOR MANUFACTURE
10	8/17/79	B. BAUSHA	B. BAUSHA	REVISED FOR MANUFACTURE

DRN: B. Bausha	FIRST USED ON: 8/17/79	digital	
CHK'D: B. Bausha			
ENG: B. Bausha	8/17/79	TITLE: H7104 BIAS CONTROL	
PROJ. ENG: B. Bausha	8/17/79	NUMBER: 5413382-0-1	
PROD: B. Bausha		REV: E	
NEXT HIGHER ASSY: B-DD-5413382-0		SIZE: D	CODE: CS
SCALE: 1 OF 2		DIST: 5413382-0-1	

THIS DRAWING AND SPECIFICATIONS HEREIN ARE THE PROPERTY OF DIGITAL EQUIPMENT CORPORATION AND SHALL NOT BE REPRODUCED OR COPIED OR USED IN WHOLE OR IN PART AS THE BASIS FOR THE MANUFACTURE OR SALE OF ITEMS WITHOUT WRITTEN PERMISSION.
 COPYRIGHT © 1979 DIGITAL EQUIPMENT CORPORATION



(MARGIN CONTROL +5 CONTROL, PRIMARY & SECONDARY CURRENT LIMIT, AC & DC STATUS SLOW RUN UP)

DRN.	FIRST USED ON			
CHK'D		TITLE		
ENG.		H7104		
PROJ. ENG.		BIAS CONTROL		
PROD.				
NEXT HIGHER ASSY.				
SCALE	SIZE	CODE	NUMBER	REV.
	D	CS	5413382-0-1	E
SHEET 3 OF 3	DET			